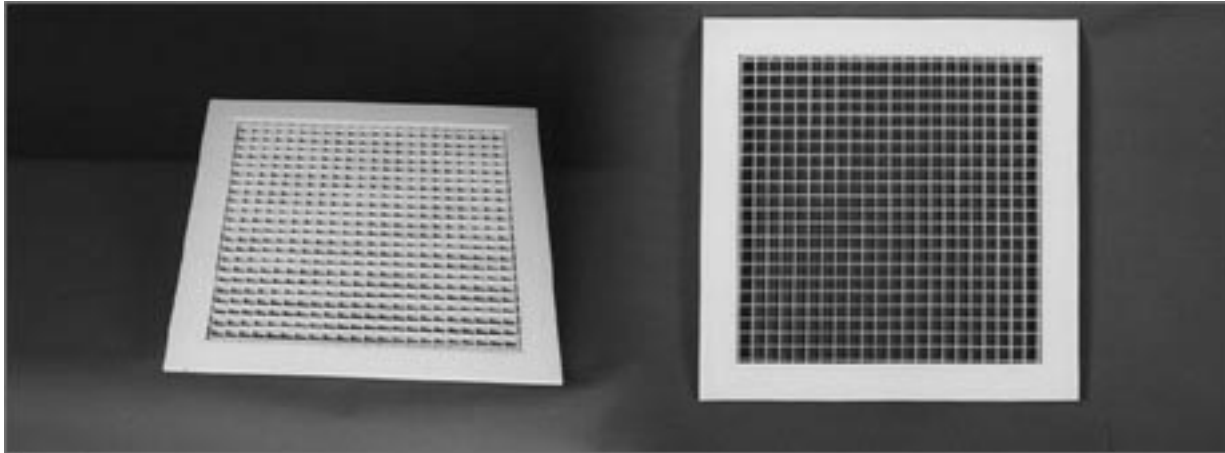


EGG CRATE AIR GRILLES AND REGISTERS



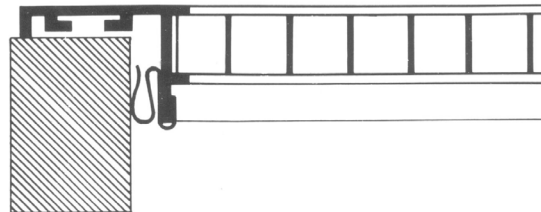
- The egg crate grilles are either ceiling mounted or wall mounted air terminal devices used as exhaust air grilles for domestic and industrial applications.
- The relatively large effective area of the egg crate grille permits better performance in the return stages. The effective area is 90 percent of the nominal area. This generates low pressure drop and low noise level.
- The core of the egg crate grille is made of aluminium strips assembled to form equally distributed and sized square cells.
- The frame of the egg crate grille is made of extruded aluminium bars.

Available types of finishings:

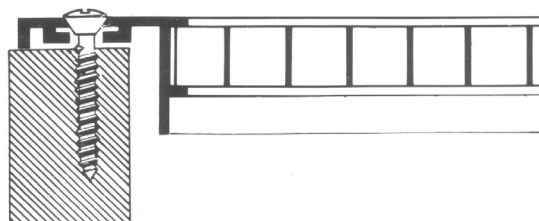
- Natural anodized aluminium finish.
- Powder coated (painted to RAL codes).

Types of Fixing:

1) Concealed type fixing (wall only)



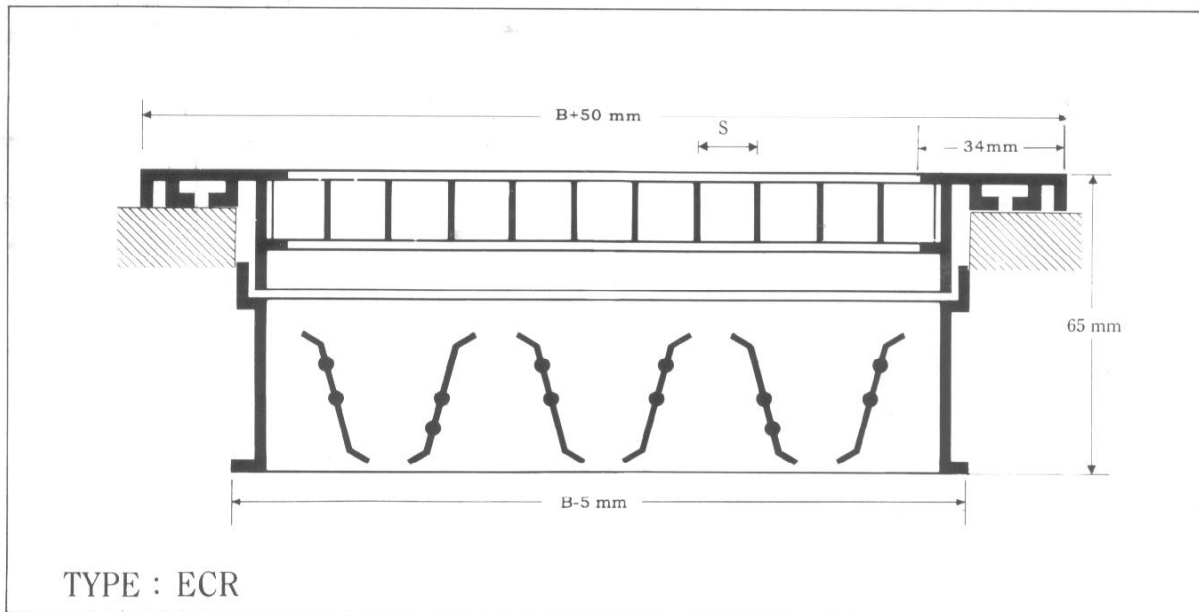
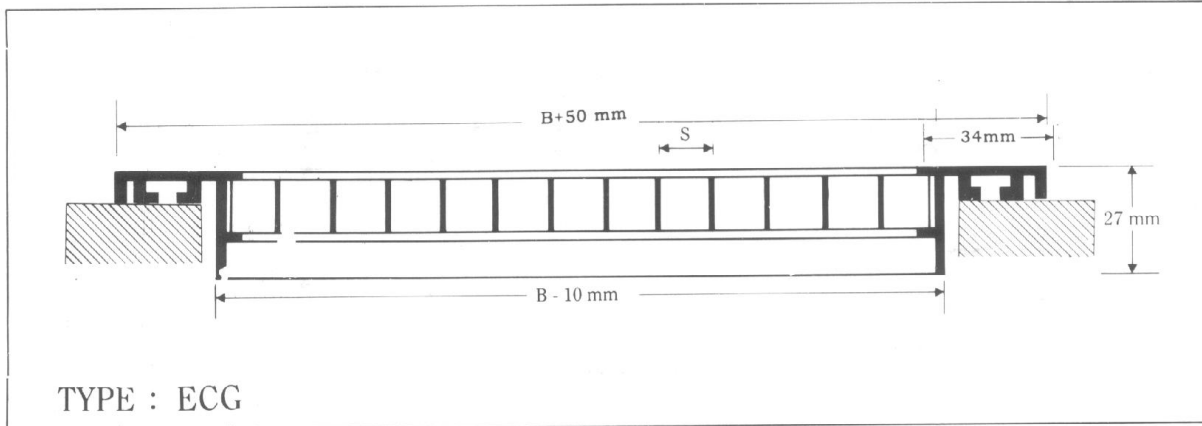
2) Visible screw fixing



GRILLES AND REGISTERS



EGG CRATE AIR GRILLES AND REGISTERS



Standard Sizes:
(Use any combination of length & width)

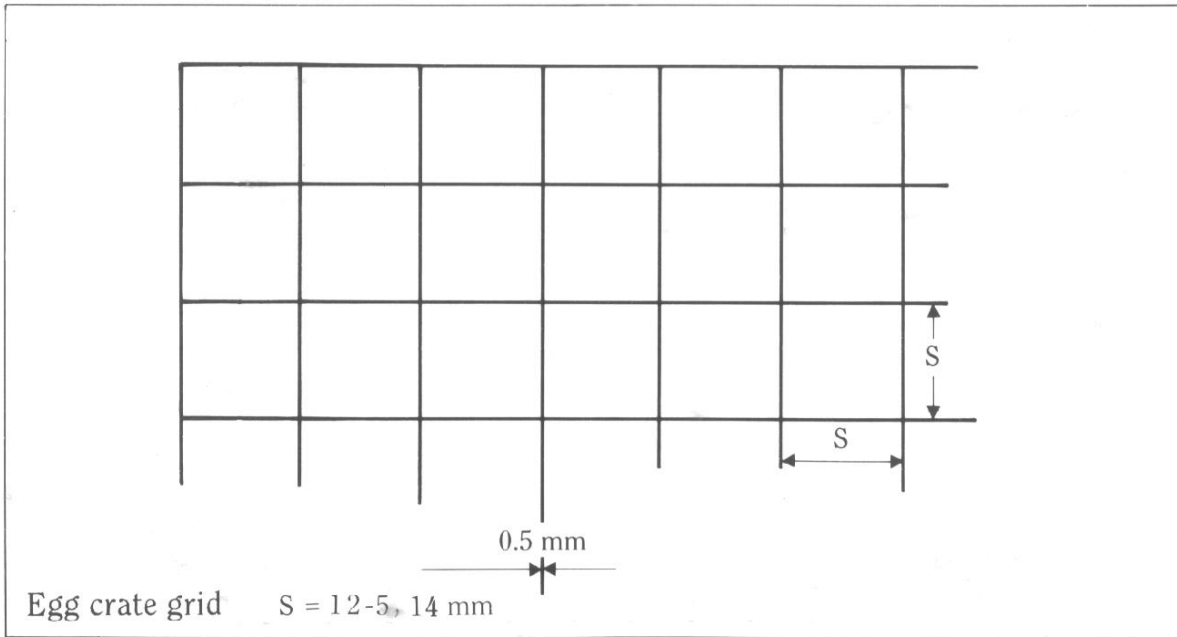
Length(mm) (A)	Width(mm) (B)
300	150
400	
500	200
600	
750	250
900	
1050	300

- To convert into imperial units use (1 inch - 25 mm)
- Non standard sizes are available upon request.

GRILLES AND REGISTERS



EGG CRATE AIR GRILLES AND REGISTERS



ORDERING SYSTEM

