

VKSB



Stačiakampiai kanaliniai ventiliatoriai

Rectangular duct fans

Rechteckige Kanalventilatoren

Прямоугольные каналные вентиляторы



Stačiakampiai kanaliniai ventiliatoriai, skirti vėdinimo ir oro kondicionavimo sistemoms, montuojami į stačiakampių ortakių sistemą. Naudojami oro tiekimui ir šalinimui. Nenaudojami užteršto oro, agresyvių, sprogių dujų transportavimui. Kompaktiški, tyliai dirbantys, montuojami bet kokiame padėtyje, sparnuotė lengvai iškeliamą valymui.

Sparnuotė: atgal lenktais sparneliais, cinkuoto plieno.

Variklis: išorinis rotorius, tiesioginė pavara, integruota termokontaktinė variklio apsauga, ilgai tarnaujantys nereikalaujantys priežiūros guoliai.

Korpusas: iš cinkuotos skardos.



Rechteckige Kanalventilatoren, die für Lüftungs- und Klimaanlagen bestimmt sind, werden in das System der rechteckigen Luftführungskanäle montiert. Sie werden für Zuluft und Abluft verwendet. Nicht geeignet für die Beförderung von verschmutzter Luft, aggressiven, explosiven Gasen. Kompakt, leise funktionierend, Montage in jeder beliebigen Stellung, das Flügelwerk ist leicht zur Reinigung herausnehmbar.

Laufgrad ist rückwärts gekrümmt, aus verzinktem Stahl.

Der Motor: Außenrotor, Direktantrieb, integrierter Thermokontakt-Motorschutz, dauerhafte, keine Pflege erfordernde Lager.

Das Gehäuse: aus verzinktem Blech.



Rectangular ducts fans for ventilation and air conditioning systems, mounted into a system of rectangular air ducts. Used for the air supply or extract. Not suitable for polluted air, aggressive and explosive gases. Compact, mounted in any position. Easily opened doors for cleaning an impeller.

Impeller with backward curved blades, made of galvanized steel.

Motor: external rotor, motor protection built-in thermal-contact, free-maintenance ball bearings.

Housing: made of galvanized steel.



Прямоугольные каналные вентиляторы для систем вентиляции и кондиционирования, устанавливаются в систему прямоугольных воздуховодов. Эксплуатируются в целях подачи и вытяжки воздуха. Не используются при транспортировке загрязнённого воздуха, агрессивных, взрывоопасных газов. Компактные, бесшумные, устанавливаются в любом положении, крыльчатка легко извлекается для чистки.

Крыльчатка: загнутые назад лопатки, оцинкованная сталь.

Двигатель: наружный ротор, прямая передача, встроенные термоконтакты двигателя, не требующие ухода подшипники с длительным сроком службы.

Корпус: оцинкованной жести.

Accessories



LJ/E
LJ/PG
p. 184-185



SKS
p. 154



FDS
p. 149



EKS
p. 122

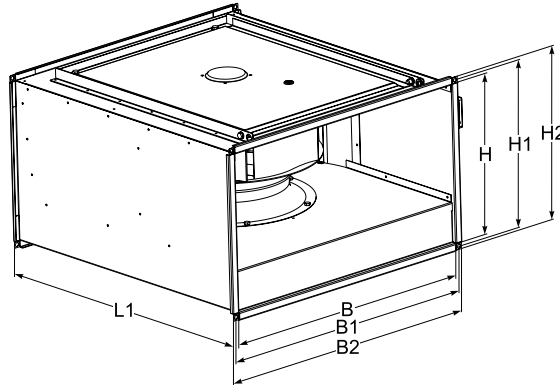


GSO
p. 177



LG
p. 176

VKSB



| Type | Dimensions [mm] | | | | | | |
|---------------|-----------------|------|------|-----|-----|-----|-----|
| | B | B1 | B2 | H | H1 | H2 | L1 |
| VKSB 300x150 | 300 | 320 | 340 | 150 | 170 | 190 | 400 |
| VKSB 400x200 | 400 | 420 | 440 | 200 | 220 | 240 | 445 |
| VKSB 500x250 | 500 | 520 | 540 | 250 | 270 | 290 | 530 |
| VKSB 500x300 | 500 | 520 | 540 | 300 | 320 | 340 | 560 |
| VKSB 600x300 | 600 | 620 | 640 | 300 | 320 | 340 | 640 |
| VKSB 600x350 | 600 | 620 | 640 | 350 | 370 | 390 | 700 |
| VKSB 700x400 | 700 | 720 | 740 | 400 | 420 | 440 | 780 |
| VKSB 800x500 | 800 | 820 | 840 | 500 | 520 | 540 | 880 |
| VKSB 1000x500 | 1000 | 1020 | 1040 | 500 | 520 | 540 | 980 |

Accessories

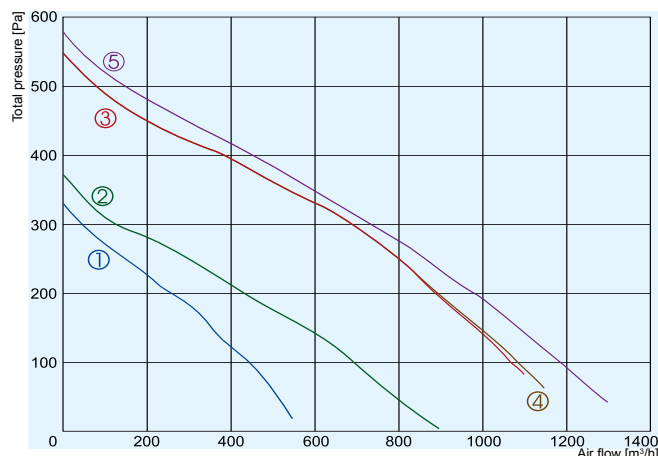

 VKF
p. 187

 TGRV
p. 141

 TGRT
p. 142

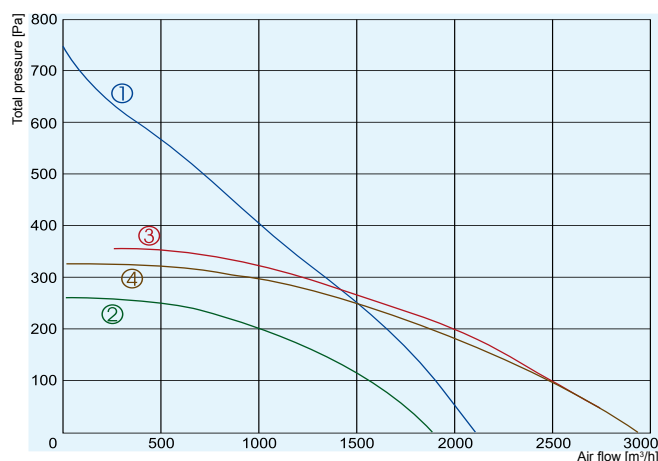
 MTY
p. 144

VKSB



- ① — VKSB 300x150-2 L1
- ② — VKSB 400x200-2 L1
- ③ — VKSB 400x200-2S L1
- ④ — VKSB 500x250-2 L1
- ⑤ — VKSB 500x250-2S L1

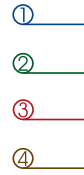
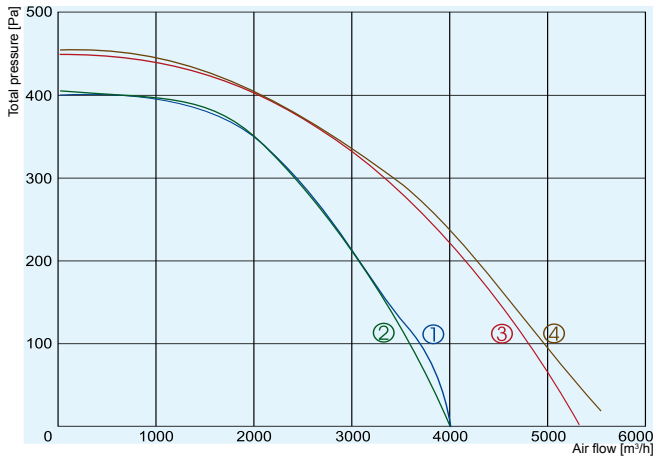
| | | 300x150-2 L1 | 400x200-2 L1 | 400x200-2S L1 | 500x250-2 L1 | 500x250-2S L1 |
|-----------------------------------|----------------------|--------------|--------------|---------------|--------------|---------------|
| Voltage/Frequency | [V/Hz] | 230/50 | 230/50 | 230/50 | 230/50 | 230/50 |
| Power consumption | [kW] | 0,058 | 0,085 | 0,135 | 0,135 | 0,155 |
| Current | [A] | 0,26 | 0,38 | 0,60 | 0,60 | 0,70 |
| Speed | [min ⁻¹] | 2500 | 2600 | 2650 | 2650 | 2600 |
| Max. airflow | [m ³ /h] | 545 | 895 | 1095 | 1150 | 1300 |
| Max. air temperature | [°C] | 50 | 40 | 60 | 60 | 50 |
| Total sound pressure level at 1 m | [dBA] | 62 | 73 | 69 | 69 | 75 |
| Speed controller | | TGRV1,5/MTY0 | TGRV1,5/MTY0 | TGRV1,5/MTY1 | TGRV1,5/MTY1 | TGRV1,5/MTY1 |
| Weight | [kg] | 5,0 | 8,0 | 8,0 | 16,0 | 16,0 |
| Wiring diagram | | No. 1 | No. 1 | No. 1 | No. 1 | No. 1 |
| Protection class: | motor | IP-44 | IP-44 | IP-44 | IP-44 | IP-44 |
| | terminal box | IP-54 | IP-54 | IP-54 | IP-54 | IP-54 |



- ① — VKSB 500x300-2 L1
- ② — VKSB 500x300-4 L3
- ③ — VKSB 600x300-4 L1
- ④ — VKSB 600x300-4 L3

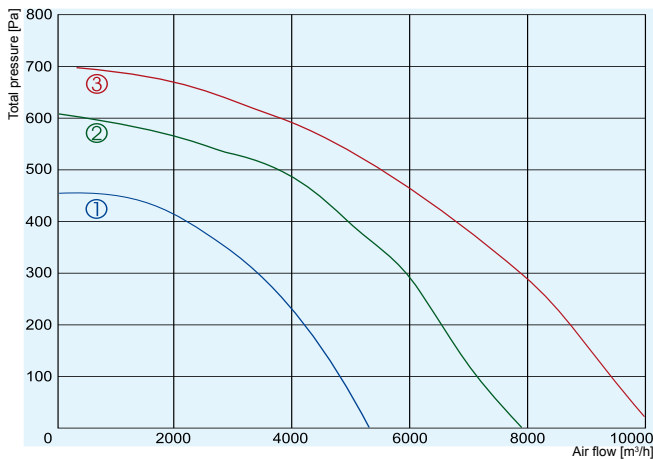
| | | 500x300-2 L1 | 500x300-4 L3 | 600x300-4 L1 | 600x300-4 L3 |
|-----------------------------------|----------------------|--------------|--------------|--------------|--------------|
| Voltage/Frequency | [V/Hz] | 230/50 | 400/50 | 230/50 | 400/50 |
| Power consumption | [kW] | 0,225 | 0,15 | 0,31 | 0,27 |
| Current | [A] | 1,0 | 0,36 | 1,35 | 0,47 |
| Speed | [min ⁻¹] | 2700 | 1400 | 1370 | 1310 |
| Max. airflow | [m ³ /h] | 2110 | 1880 | 2930 | 2930 |
| Max. air temperature | [°C] | 40 | 70 | 65 | 60 |
| Total sound pressure level at 1 m | [dBA] | 76 | 73 | 78 | 77 |
| Speed controller | | TGRV1,5/MTY2 | TGRT1 | TGRV1,5/MTY2 | TGRT1 |
| Weight | [kg] | 17,0 | 18,0 | 19,0 | 21,0 |
| Wiring diagram | | No. 1 | No. 3 | No. 2 | No. 3 |
| Protection class: | motor | IP-44 | IP-54 | IP-54 | IP-54 |
| | terminal box | IP-54 | IP-54 | IP-54 | IP-54 |

VKSB



VKSB 600x350-4 L1
VKSB 600x350-4 L3
VKSB 700x400-4 L1
VKSB 700x400-4 L3

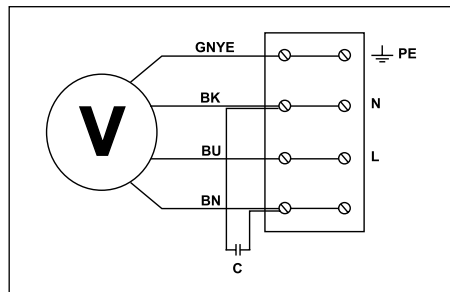
| | | 600x350-4 L1 | 600x350-4 L3 | 700x400-4 L1 | 700x400-4 L3 |
|-----------------------------------|----------------------|---------------------|---------------------|---------------------|---------------------|
| Voltage/Frequency | [V/Hz] | 230/50 | 400/50 | 230/50 | 400/50 |
| Power consumption | [kW] | 0,52 | 0,46 | 0,74 | 0,69 |
| Current | [A] | 2,2 | 0,85 | 3,2 | 1,3 |
| Speed | [min ⁻¹] | 1360 | 1340 | 1280 | 1230 |
| Max. airflow | [m ³ /h] | 4010 | 4000 | 5330 | 5540 |
| Max. air temperature | [°C] | 40 | 55 | 60 | 40 |
| Total sound pressure level at 1 m | [dBA] | 77 | 77 | 83 | 83 |
| Speed controller | | TGRV3/MTY3 | TGRT1 | TGRV4/MTY4 | TGRT2 |
| Weight | [kg] | 24,0 | 27,0 | 48,0 | 64,0 |
| Wiring diagram | | No. 2 | No. 3 | No. 2 | No. 3 |
| Protection class: | motor | IP-54 | IP-54 | IP-54 | IP-54 |
| | terminal box | IP-54 | IP-54 | IP-54 | IP-54 |



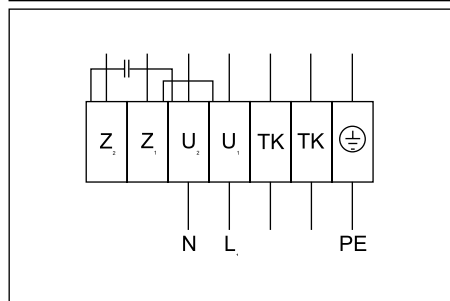
VKSB 800x500-4 L1
VKSB 800x500-4 L3
VKSB 1000x500-4 L3

| | | 800x500-4 L1 | 800x500-4 L3 | 1000x500-4 L3 |
|-----------------------------------|----------------------|---------------------|---------------------|----------------------|
| Voltage/Frequency | [V/Hz] | 230/50 | 400/50 | 400/50 |
| Power consumption | [kW] | 0,74 | 1,25 | 1,8 |
| Current | [A] | 3,2 | 2,3 | 3,4 |
| Speed | [min ⁻¹] | 1280 | 1340 | 1230 |
| Max. airflow | [m ³ /h] | 5300 | 7900 | 10000 |
| Max. air temperature | [°C] | 60 | 45 | 40 |
| Total sound pressure level at 1 m | [dBA] | 83 | 85 | 86 |
| Speed controller | | TGRV4/MTY4 | TGRT3 | TGRT4 |
| Weight | [kg] | 56,0 | 69,0 | 89,0 |
| Wiring diagram | | No. 2 | No. 3 | No. 3 |
| Protection class: | motor | IP-54 | IP-54 | IP-54 |
| | terminal box | IP-54 | IP-54 | IP-54 |

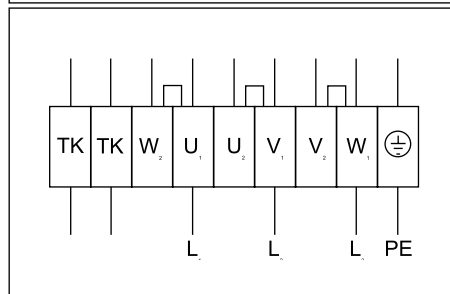
VKSB


Wiring diagram No. 1 (1~230V)

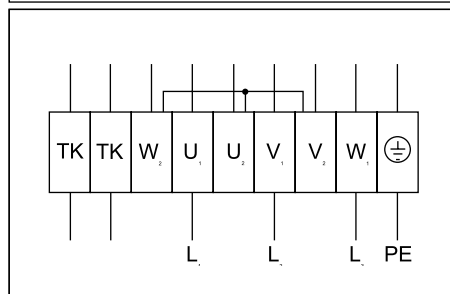
GNYE - green-yellow
 BK - black
 BU - blue
 BN - brown


Wiring diagram No. 2 (1~230V)

U₁ = brown
 U₂ = blue
 Z₁ = black
 Z₂ = orange
 TK = white


Wiring diagram No. 3 (Δ - 3~400V)

U₁ = brown
 U₂ = red
 V₁ = blue
 V₂ = grey
 W₁ = black
 W₂ = orange
 TK = white


Wiring diagram No. 3 (Y - 3~400V)

U₁ = brown
 U₂ = red
 V₁ = blue
 V₂ = grey
 W₁ = black
 W₂ = orange
 TK = white